

Casinos:

Data acquisition for slot machines

An Entertainment company who operates several casinos needed to gather real time data from their slot machines (1.500 units per branch). Mean gamblings per hour, winning gamblings and time usage are some of their statistics. That information had to be centralized in servers installed at each casino, that run certain previously-installed statistics software.

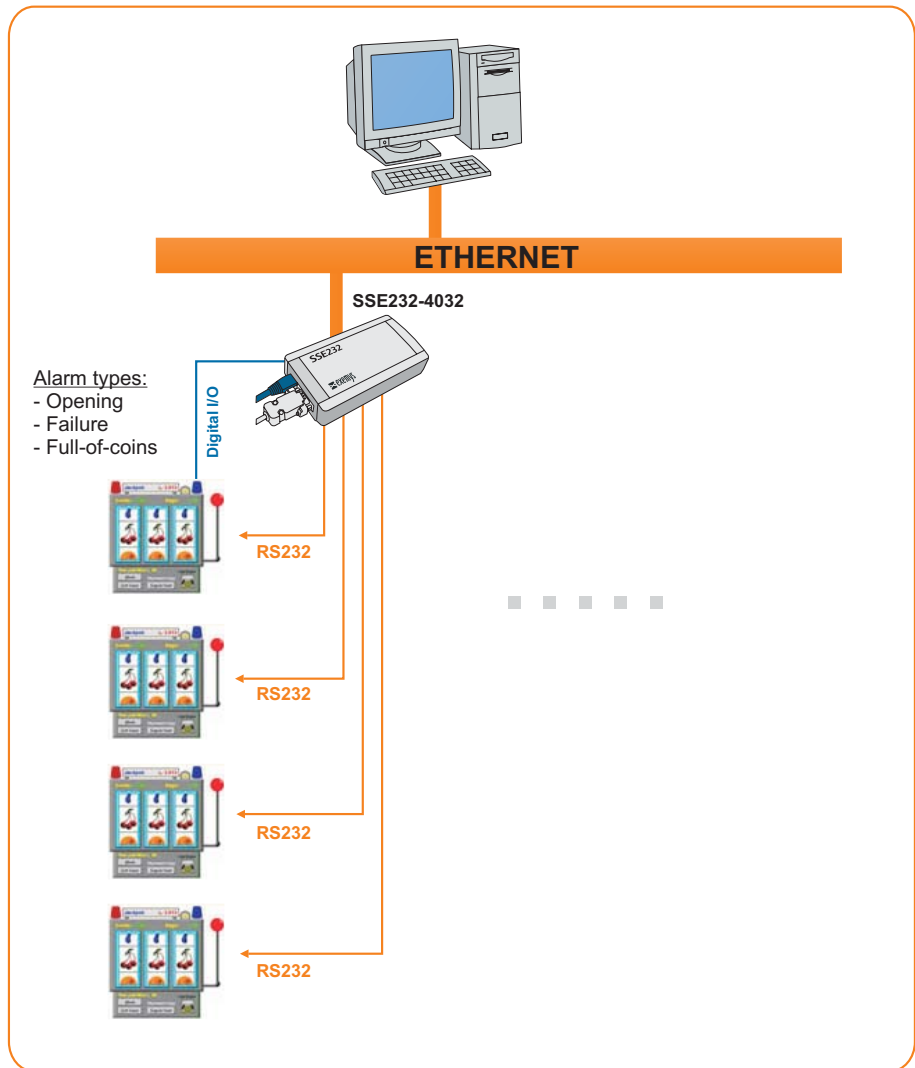
Our solution consisted in installing an Ethernet network and use SSE232 (Serial to Ethernet converter) to connect slot machines (they include an RS232 serial port) to the server. Since slot machines are always physically grouped, we suggested them to buy SSE232-4032, with four serial ports RS232.

They also took advantage of the embedded input/output (3 inputs and 2 outputs in the SSE232-4032 model) in order to monitor some alarms (machine opening, full-of-coins machine, mechanical failure).

Benefits

- Centralized statistics allowed the company to analyze their productivity and count on important information for their marketing campaigns.
- Better security: By integrating data acquisition and real time alarms control into one device, they improved their overall integrity.
- Scalability provided by Ethernet networks simplifies the installation of other machines in the future.

The following scheme depicts our solution:

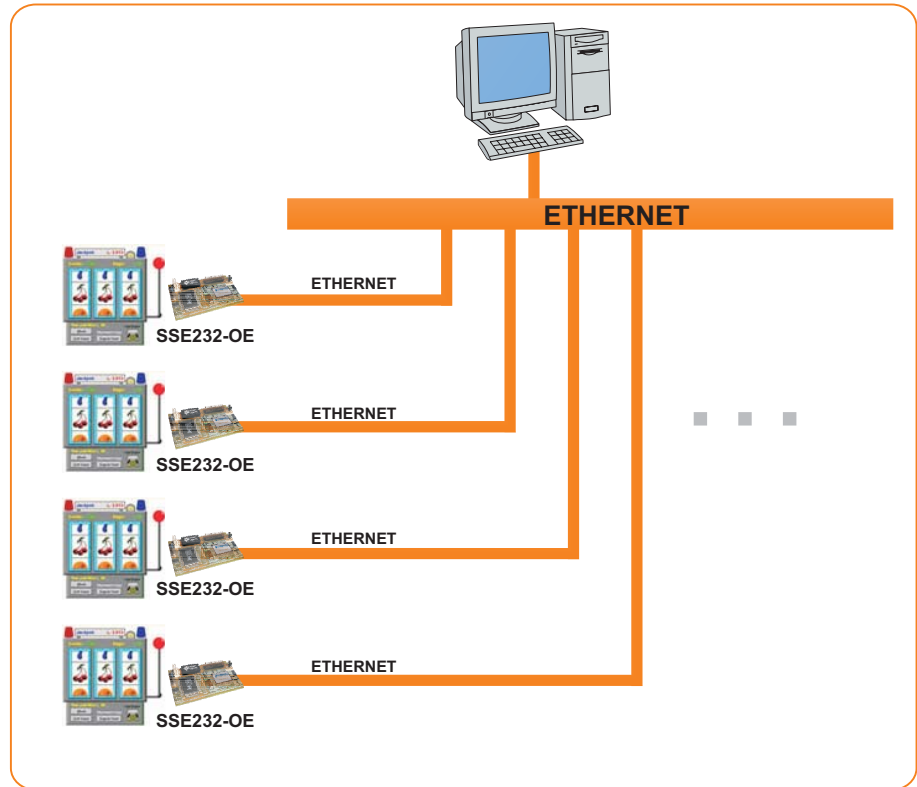


Other topologies

In those sites where cabling the Ethernet network may be difficult, or if less than four slot machines are installed, one of the following alternatives may be used:

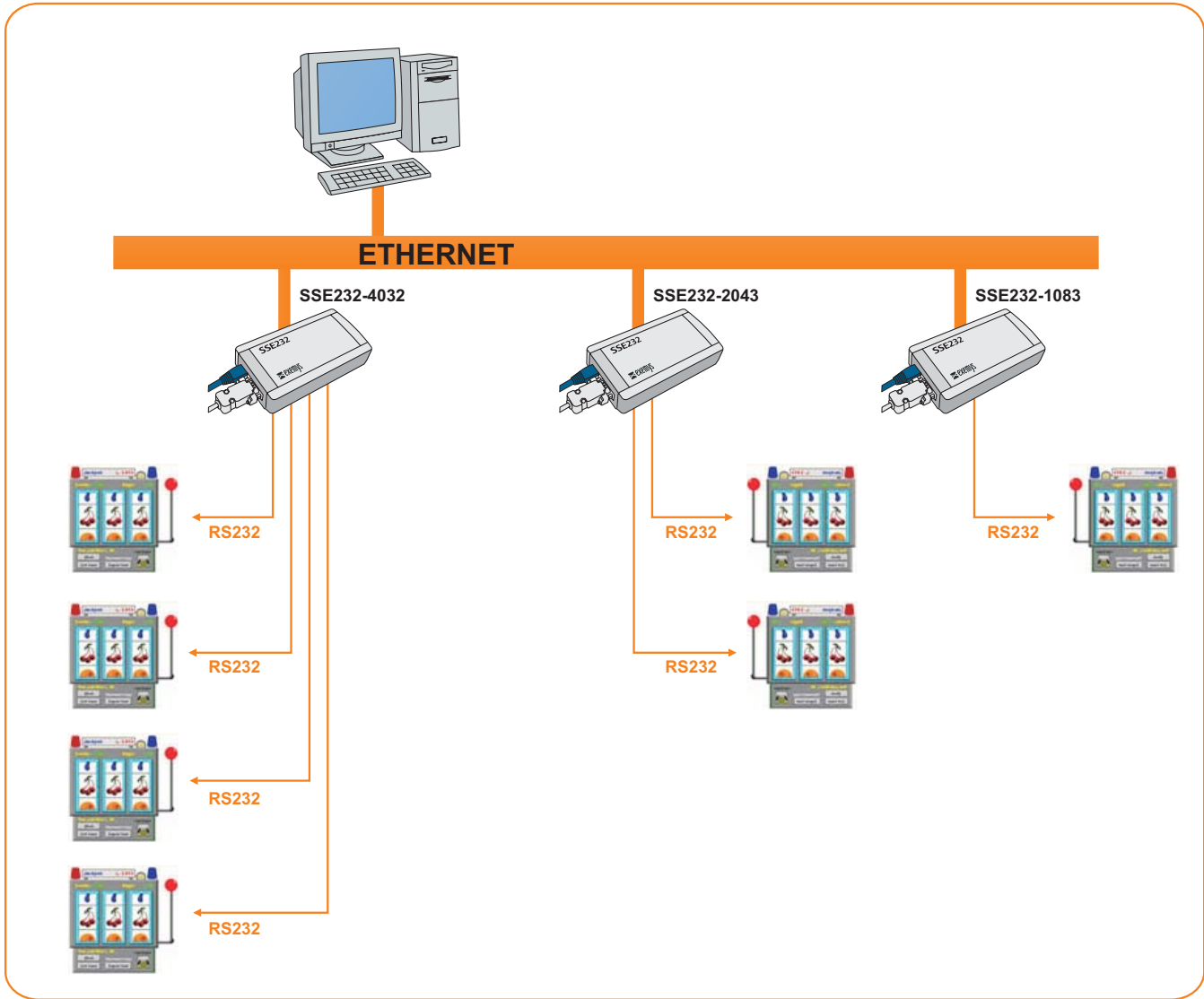
- SSE232-OE

This is the OEM version of our SSE232 converter, designed to be incorporated inside the slot machine, thus eliminating any external cable.



- Combining different SSE232 models

We offer several models in our catalogue, aimed to meet our customers' needs. Using different models (1, 2 or 4 RS232 ports), you will find the solution that best fits your application.



For technical support please contact: support@exemys.com	For sales please contact: sales@exemys.com
www.exemys.com	



Exemys products are in constant evolution to satisfy our customers needs. For that reason, the specifications and capabilities are subject to change without prior notice. Updated information can be found at www.exemys.com
 Copyright © Exemys, 2003. All Rights Reserved. **R3.00**
 The Exemys logo is a registered trademark of Exemys LLC. All other trademarks mentioned in this document are the property of their respective owners.